

Greenplate Off Grid Single Solar Standalone System



Dimensions:

Length: 2280mm Height: 900mm

Width: 900mm

Cooking Surface: 410mm x 410mm

Warranty:

Electrical Components: 2 Years

Heating Element: 5 Years

Solar Module Power Output: 10 Years*
Conditions Apply

Battery Bank: 2 Years

All Stainless-Steel Components: Lifetime*

*Includes BBQ, Substructure and Bench Top.
Conditions Apply.

Key Features:

- Red & Green LED Push Button Lighting
- Duplex Stainless-Steel BBQ
- Adjustable Temp 50°C - 400°C
- Audible On/ Off Tones
- 304 Stainless-Steel Substructure & Bench Top
- Monocrystalline or Thin Film Solar Modules

Electrical Information:

Power Supply: 24V DC 1000AH Gel Type Battery Bank

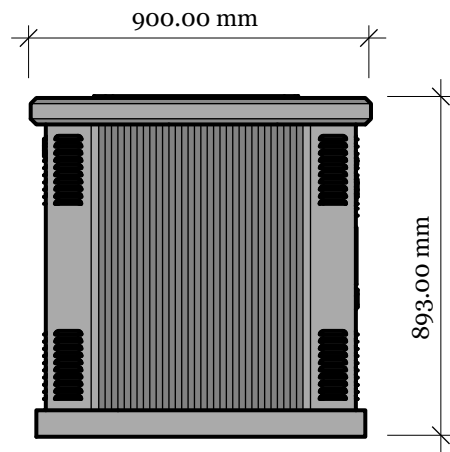
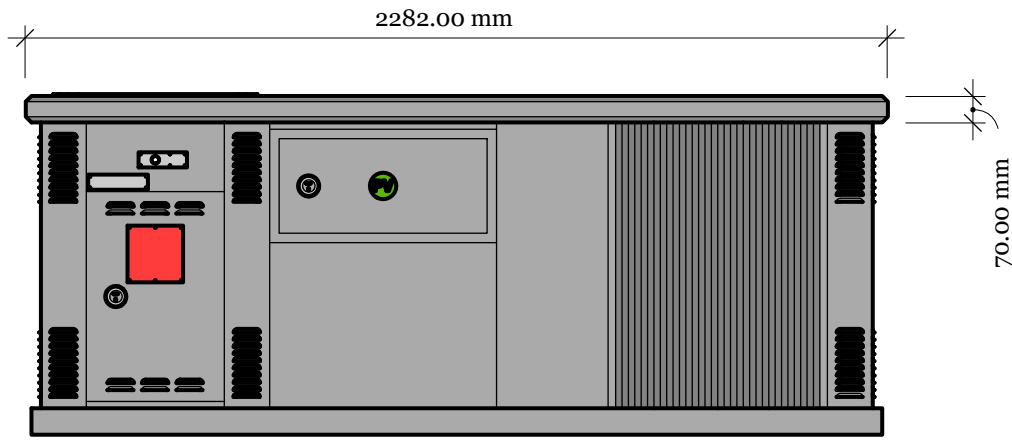
Input Current: 75Amps

Element: 1800Watts

Patent #: 761137

Conformant #: AS3000; AS5033, AS4509.1;
AS4509.3; AS4088.2; AS4086.2

All Electrical work must be carried out by
appropriate Electrical Licensed Personnel.



COMPANY NAME
Greenplate PTY LTD
Unit 2/15 Natasha Street,
Capalaba 4157, Queensland,
Australia

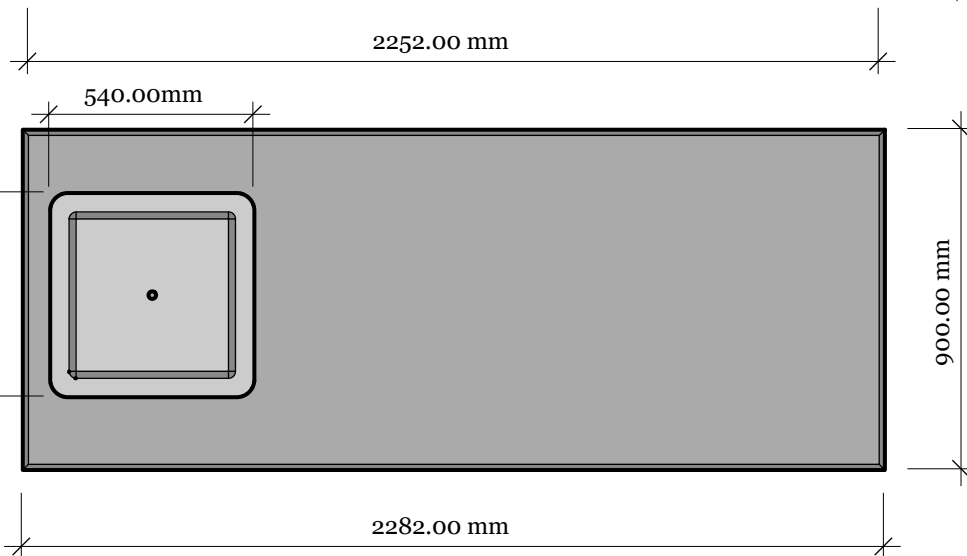
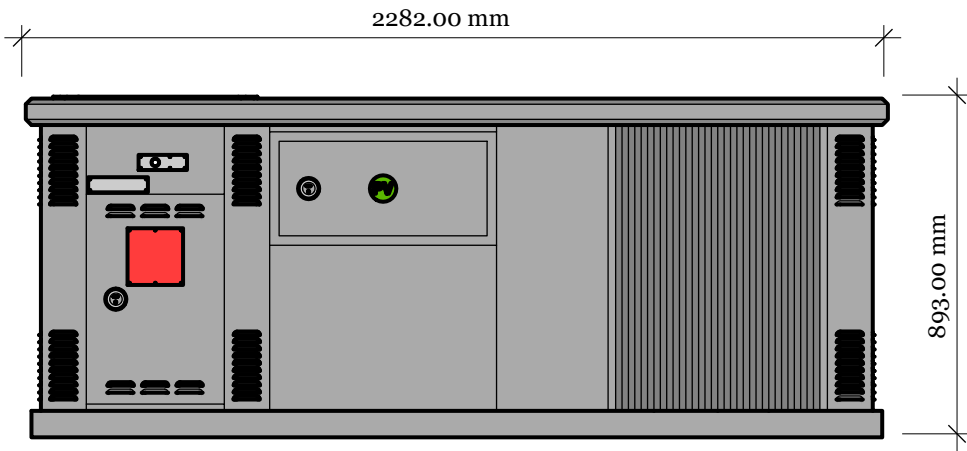
PROJECT
Greenplate Solar Stand Alone
Unit

DRAWN BY
EK

ISSUE
28.01.20

DRAWING NO.
017 - SD S

SCALE
1:20 (1mm:20mm @ A4)



A_{4.1}

