

Greenplate Matilda Single Electric BBQ System



Key Features:

- Red & Green LED Push Button Lighting
- Duplex Stainless-Steel BBQ
- Audible On/ Off Tones
- 304 Stainless-Steel Substructure & Bench Top

Dimensions:

Length: 902mm Height: 870mm

Width: 902mm Weight: 55kg*

Weight excluding BBQ. Add 42kg per BBQ.

Warranty:

Electrical Components: 2 Years

Heating Element: 5 Years

All Stainless-Steel Components: *Lifetime**

**Includes BBQ, Substructure and Bench Top.
Conditions Apply.*

Electrical Information:

Power Supply: 200/230VAC | 50/60Hz
Self-Selecting

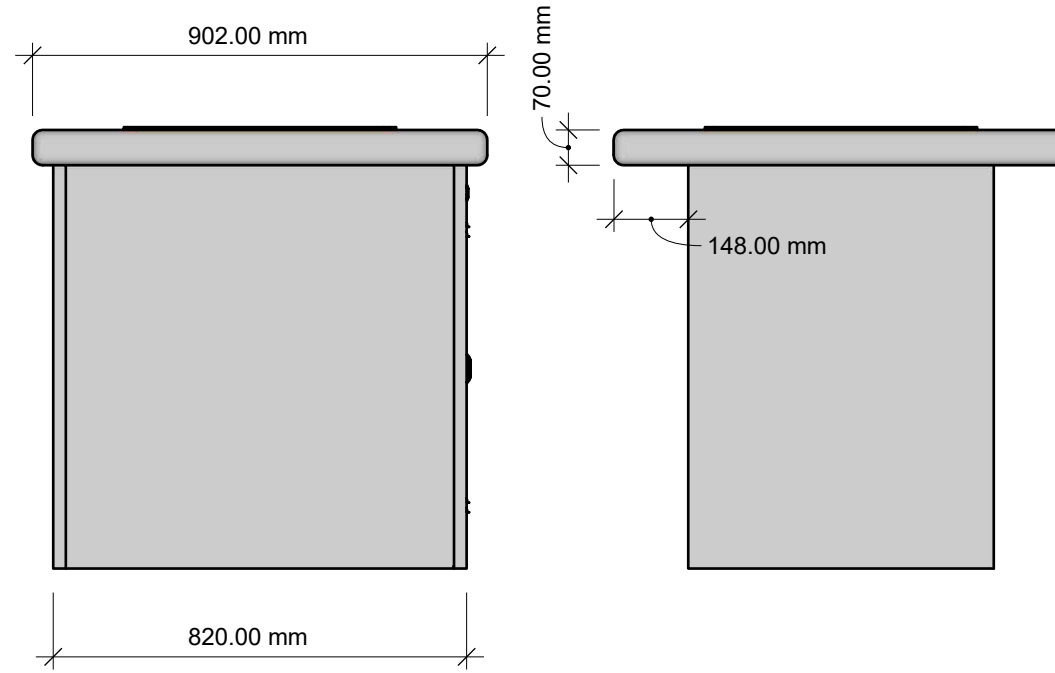
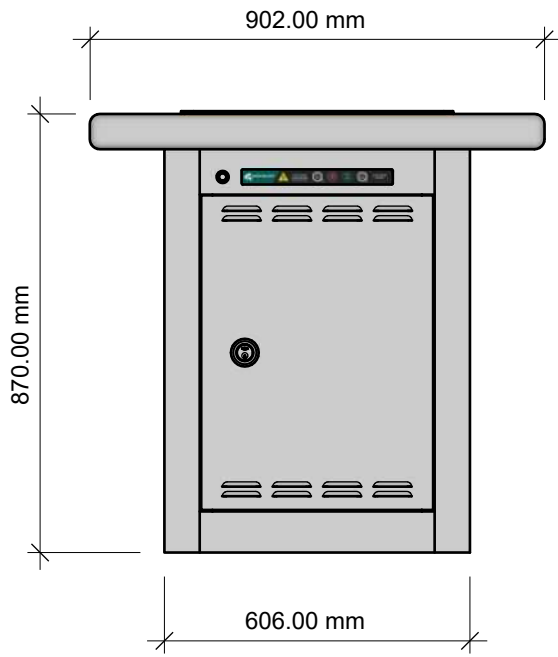
Element: 1800Watts 7.8amps

ESO Approval #: SAA172029

Patent #: 761137

*Conformant to AS/NZS 60335.1-2011 + A1
Standards for General Electrical Appliance Safety.*

*All Electrical work must be carried out by
appropriate Electrical Licensed Personnel.*



COMPANY NAME
Greenplate PTY LTD
Unit 2/15 Natasha Street,
Capalaba 4157, Queensland,
Australia

BENCH
Greenplate Matilda Single
(NPDR#57)

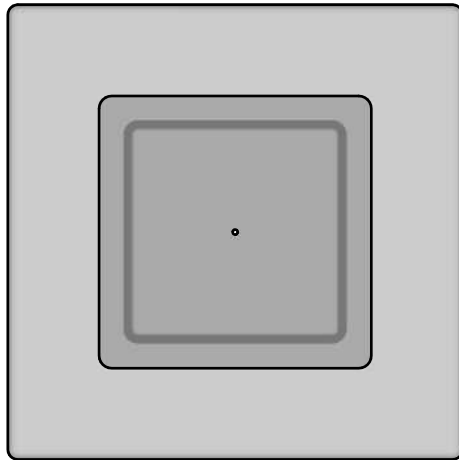
DRAWN BY
EK

ISSUE
13/07/2022

DRAWING NO.
039 - SD - S

DESCRIPTION
All S/S Bench Construction

SCALE
1:15 (1mm:15mm @A4)



A4.1