

INBENCH ELECTRIC BBQ UNIT



KEY FEATURES

- Innovative 24V Heating Element
- Premium 2.5mm 443 Stainless Steel Hot Plate
- Red & Greenplate LED Push Button Switch
- Adjustable Cooking Temperature 50°C - 320°C
- Audible ON/OFF Tones
- 6 Second Hold to Start Child Safety Feature
- Digital Temperature Display and Cycle Counter



ELECTRICAL INFORMATION

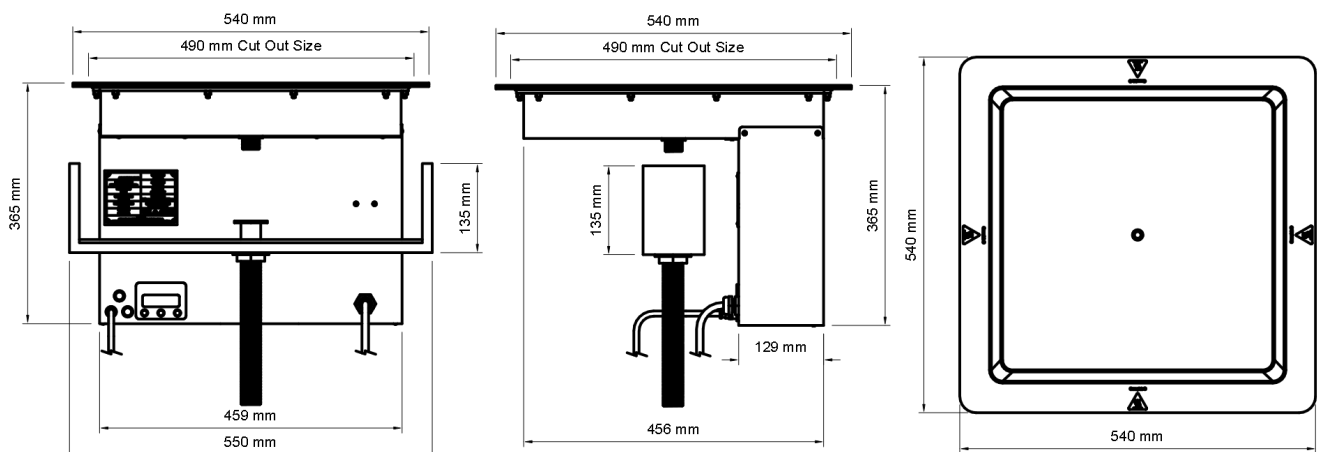
- Power Supply: 200/230VAC |50/60Hz Self Selecting
- Element: 1800 Watts/7.8 Amps
- ESO Approval #: SAA172029
- Patent #: 761137
- Conformant to AS/NZS 60335.1-2011+A1
Standards for General Electrical Appliance Safety

WARRANTY

- Electrical Components - 2 Years
- Heating Element - 5 Years
- All Stainless Steel Components - Lifetime

All BBQs must be installed on there own separate 20Amp RCBO with a minimum of 2.5mm cable as per AS3000.2018 Standard.

Product Dimensions:



Weight: 42kg

Product Code: 30000