



The Premium BBQ Experience

 **GREENPLATE®**
Sustainable Product Solutions



GREENPLATE Sustainable Product Solutions



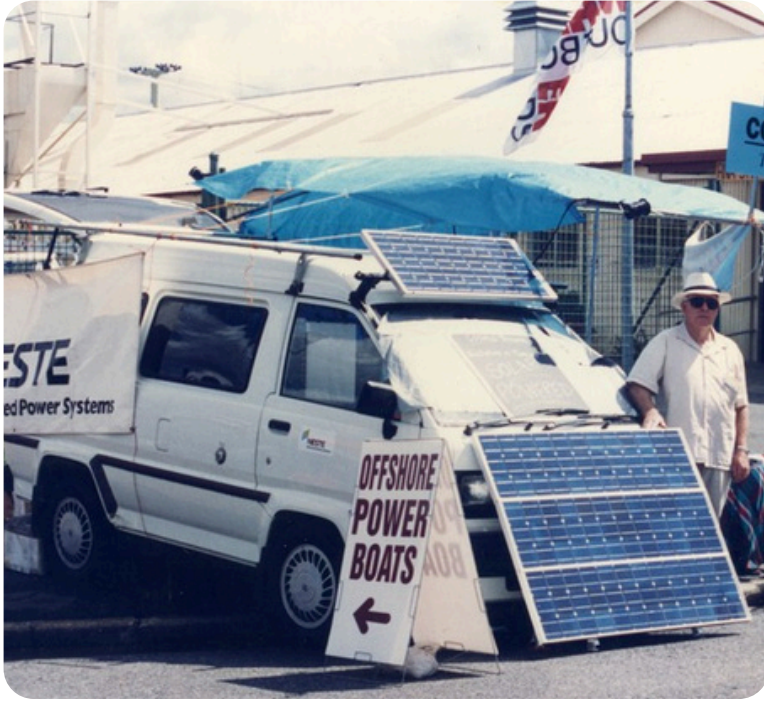
Contents

About Us	3/4
Why Greenplate?	5/6
Designed for Councils & Public Spaces	7/8
Greenplate Technology	9/10
Custom Manufacturing Capabilities	11/14
Inbench Electric BBQ	15/16
Solar Standalone Electric BBQ System	17/18
Eco BBQ Cabinet Range	19/20
Equal Access BBQ Cabinet Range	21/22
Matilda BBQ Cabinet Range	23/24
Smart BBQ Management System	25/26
Retrofit Electric BBQs	27/28
Industry Leading Warranty & Support	29/30
Projects	31/36
Contact	37/38

All electrical work must be carried out by appropriate electrical licenced personnel in accordance with the National wiring rules
Greenplate Pty Ltd © Copyright (2026) All rights reserved. Due to policy of continual product development, these product specifications are subject to change without notice. Greenplate is a registered trademark of Cosmos Solar Pty Ltd. Australian Patent No. 761137.

Version 1.0 - Publication Date 08/05/2026

From a Backyard Shed



To Industry Innovation

Every great idea starts somewhere

For Greenplate, that story began in a backyard shed in Brisbane. In the early 1980s, our parent company Cosmos Solar Pty Ltd was founded with a simple but powerful mission: to create smarter, more energy-efficient technologies that could make a real difference in the world. That commitment to innovation led to the development of groundbreaking electric heating technology for public BBQ's— technology that was first designed, tested and refined in that very backyard workshop.

From those humble beginnings, the concept quickly proved its value. By converting traditional mains power into a low-voltage, high-efficiency heating system, the technology delivered fast heat-up times while reducing energy consumption. This patented approach would go on to become the foundation of the Greenplate BBQ range used today across parks and public spaces worldwide.

As demand grew, the business evolved. In 2004, Greenplate Pty Ltd was established as the sales and distribution arm of Cosmos Solar, bringing the technology to councils, architects, developers and communities across Australia and internationally.

Still proudly Australian-owned and family operated, Greenplate continues to design and manufacture its stainless-steel electric and solar BBQ's in Australia. With headquarters and manufacturing in Brisbane and a network of distributors across multiple countries, the company has grown into one of the world's leading providers of energy-efficient public BBQ solutions.

Innovation has always remained at the heart of everything we do. Our dedicated development team continues to refine our patented heating systems, explore new technologies, and improve the efficiency, safety and durability of our products. From the introduction of the first solar electric BBQ in 2001, through to smart management systems and inclusive DDA-compliant designs, Greenplate products are constantly evolving to meet the needs of modern public spaces.

What began as an idea in a backyard shed has grown into a trusted brand used by local councils, holiday parks, developers, architects and communities around the world. Yet despite this growth, the values that shaped the company remain the same — a commitment to quality manufacturing, continuous product development, sustainable technology, and the belief that great public spaces bring people together.

Today, Greenplate continues to push the boundaries of outdoor cooking technology, proudly building on decades of innovation while staying true to the family-driven spirit that started it all.

Why Greenplate?

For decades, Greenplate has been at the forefront of public BBQ innovation, delivering reliable, energy-efficient and durable outdoor cooking solutions for parks, waterfronts and community spaces around the world. What began as a small family-driven engineering project has grown into a globally recognised brand supplying high-quality public BBQ infrastructure to councils, developers and recreation facilities across Australia and internationally. Despite this growth, Greenplate remains committed to the same core values that shaped the company from the beginning – innovation, quality manufacturing and continuous product development. Greenplate BBQ systems are designed specifically for public environments, where durability, safety and long-term reliability are critical. Our products combine patented cooking technology with robust stainless steel construction and practical design features that make them easy to use, maintain and manage.





Leading Innovation in Public BBQ Infrastructure

Greenplate has introduced a number of industry-first innovations that have shaped the modern public BBQ industry, including:

- The World's First Solar Electric BBQ
- Low-voltage high-efficiency heating technology
- Quick-release bracket for easy removal
- LED switch lighting with fault indication
- DDA compliant public BBQ cabinets
- Cloud-connected Smart BBQ Management Systems

This commitment to innovation continues today as Greenplate develops new technologies to improve sustainability, accessibility and infrastructure management.

Designed for Councils & Public Spaces

Infrastructure Built for High-Use Environments

Greenplate BBQ systems are specifically engineered for public environments, where durability, safety and long-term performance are essential.

Unlike domestic BBQ products, Greenplate systems are designed to withstand the demanding conditions of parks, waterfronts, tourism precincts, campgrounds and community spaces where equipment must operate reliably in all weather conditions and under continuous public use.

Every Greenplate BBQ incorporates features that make it ideal for public infrastructure, including robust stainless steel construction, energy-efficient electric heating technology and intelligent safety controls.

Our systems are trusted by local councils, landscape architects, park planners, holiday parks and developers who require outdoor cooking facilities that are safe, easy to maintain and capable of delivering reliable performance for many years.



Designed with Asset Management in Mind

Greenplate products are developed with a strong focus on long-term asset management, helping owners minimise maintenance requirements while maximising the lifespan of their infrastructure.

Key design features include:

- Durable stainless steel construction
- Easy-clean mono-pressed cooking plates
- Quick-release BBQ plate systems for servicing
- LED fault indication for maintenance diagnostics
- Retrofit-compatible smart monitoring technology

These innovations help ensure that Greenplate BBQ systems remain reliable, easy to maintain and cost-effective over their lifetime.



Flexible Solutions for Every Project

Greenplate offers a range of solutions to suit different public space applications, including:

- Inbench BBQ systems for integrated park infrastructure
- Cabinet BBQ units for picnic and recreation areas
- Solar electric BBQ systems for off-grid locations
- Accessible BBQ designs supporting inclusive community spaces
- Custom manufacturing for unique architectural projects

This flexibility allows Greenplate to support projects ranging from small local parks to large waterfront precincts and major public developments.

Greenplate Technology

Advanced Electric BBQ Technology

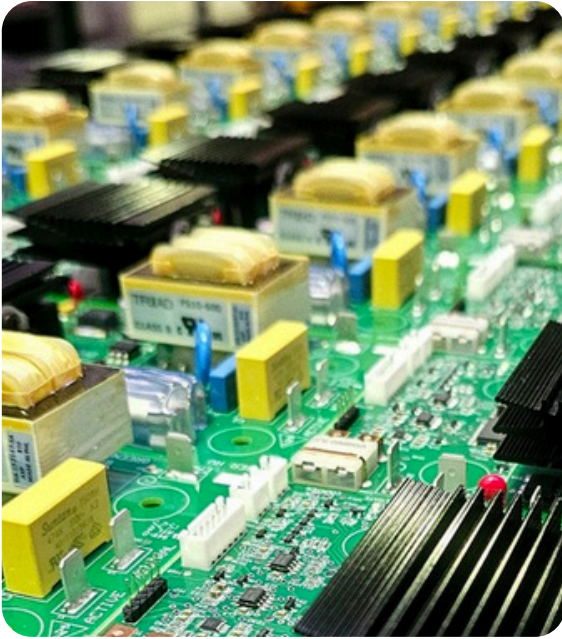
At the heart of every Greenplate BBQ is a patented electric heating system designed to deliver exceptional cooking performance while maintaining high levels of safety and energy efficiency.

Traditional electric BBQ systems rely on high-voltage heating elements that consume large amounts of power and can be difficult to manage in public environments. Greenplate's innovative approach is different. Greenplate BBQs convert incoming mains power into a low-voltage, high-current heating system, allowing the hotplate to operate at approximately 24 volts while still delivering powerful cooking temperatures.

This unique design offers several important advantages:

- Improved electrical safety
- Highly efficient heat transfer
- Lower energy consumption
- Consistent cooking performance
- Long operational life





Advanced Electric BBQ Technology

Greenplate BBQ systems incorporate a range of intelligent design features that improve reliability and simplify maintenance, including:

- Mono-pressed stainless steel cooking plates
- LED illuminated switches with fault indication
- Quick-release BBQ plate servicing systems
- Smart BBQ monitoring technology
- Durable stainless steel cabinet construction

Together, these innovations create a public BBQ system that is safe, efficient and built to perform in demanding public environments.

Energy Efficient Cooking

The Greenplate heating system is designed to deliver fast heat-up times and consistent cooking temperatures, ensuring users enjoy a premium cooking experience while minimising electricity consumption.

This makes Greenplate BBQ systems particularly attractive for councils and asset managers seeking some of the most energy-efficient public BBQ infrastructure available.



Custom Manufacturing Capabilities

At Greenplate, innovation extends beyond our standard product range. We understand that every public space is unique, which is why we offer custom manufacturing solutions to help councils, architects, developers and landscape designers bring their outdoor recreation spaces to life.

The Greenplate Design Hub

At the centre of this capability is the Greenplate Design Hub – our collaborative design and engineering environment where ideas are transformed into practical, durable public infrastructure solutions.

Through the Design Hub, our team works closely with project stakeholders to develop customised BBQ installations, cabinets and outdoor cooking environments that integrate seamlessly into their surroundings.

From early concept discussions through to manufacturing and installation, the Design Hub allows Greenplate to deliver solutions that balance functionality, durability, accessibility and aesthetic design.



Flexible Materials & Engineering Expertise

While Greenplate is renowned for its high-quality stainless steel BBQ cabinets and cooking infrastructure, our manufacturing capability extends well beyond a single material.

Our engineering team has extensive experience working with a range of materials including:

- Stainless steel
- Powder-coated and fabricated steel
- Aluminium
- Concrete and masonry integration
- Composite and architectural finishes

This flexibility allows Greenplate to design BBQ facilities and outdoor infrastructure that match the architectural style, durability requirements and environmental conditions of each project.



Custom Solutions for Unique Spaces

Through our custom manufacturing capability, Greenplate can design and produce a wide range of tailored solutions including:

- Custom BBQ cabinets and configurations
- Integrated bench and inbench BBQ systems
- Solar BBQ infrastructure
- Shelters and outdoor cooking hubs
- Accessible (DDA-compliant) cooking facilities
- Custom installation layouts for parks, waterfronts and public spaces

Each system is engineered with the same proven technology and durability that Greenplate BBQs are known for worldwide.



Custom Manufacturing Capabilities

Greenplate Art Wrap

To further enhance public spaces, Greenplate also offers Art Wrap, a custom artwork application that transforms BBQ cabinets into unique visual features. Through Art Wrap, councils and communities can incorporate local artwork, cultural elements, branding or interpretive graphics directly onto BBQ cabinets and infrastructure. This allows installations to become more than just functional equipment – they can also celebrate community identity, Indigenous heritage, local landscapes or project branding, creating a stronger sense of place within parks and public environments.



Built for Communities

Whether delivering a fully customised BBQ precinct or integrating artwork and architectural materials into a design, Greenplate's custom manufacturing capability ensures every installation is purpose-built, durable and designed for long-term public use.

By combining engineering innovation, flexible manufacturing and collaborative design, the Greenplate Design Hub helps turn ideas into infrastructure that communities can enjoy for decades.



Optional BBQ & Cabinet Accessories

STAINLESS STEEL SINKS



BAFFLE TYPE FAT BIN



EXTENSIVE COLOUR RANGES
AVAILABLE ON ALL
PRODUCTS

HINGED BBQ COVER



ABOVE BENCH HOUSING



ART WRAP



PROTECTIVE CLEAR COATING

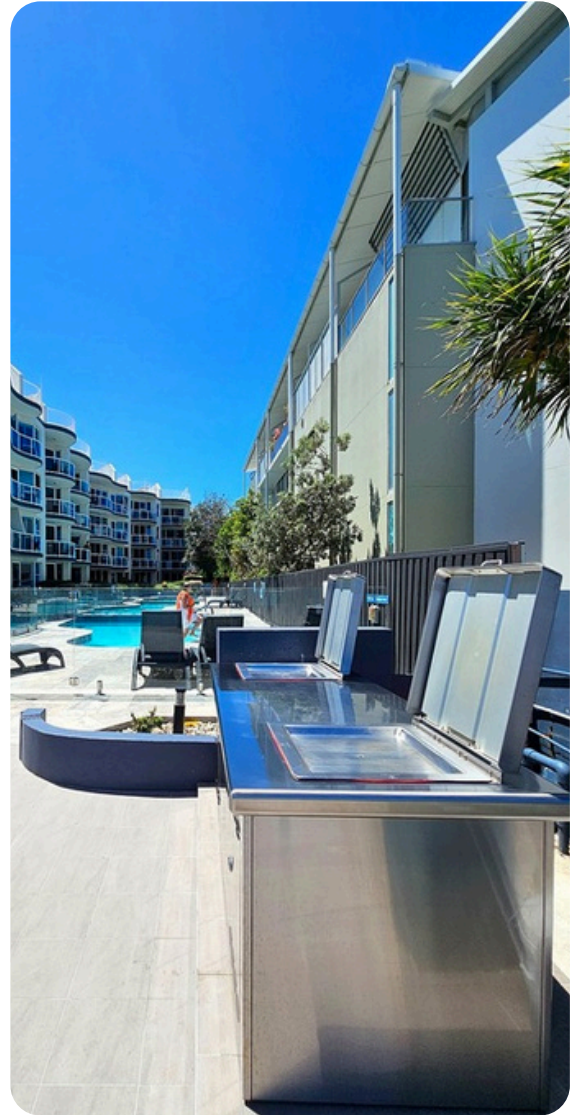


Inbench Electric BBQ

The Benchmark for Energy-Efficient Public BBQ Cooking

The Greenplate Inbench Electric BBQ represents the core of Greenplate's patented cooking technology. Designed and manufactured in Australia, this innovative cooking system delivers exceptional performance, reliability and energy efficiency for public outdoor cooking environments.

At the heart of the Inbench BBQ is Greenplate's patented low-voltage, high-efficiency heating element, engineered to deliver powerful cooking performance while reducing energy consumption compared to conventional electric BBQ systems. The unit converts mains power to a safe 24V operating voltage at the hotplate, ensuring improved safety and reliability while maintaining outstanding cooking temperatures.



Featuring a mono-pressed stainless steel hotplate, the Inbench BBQ is designed to withstand the harsh conditions of public parks, recreational areas and outdoor environments while maintaining a sleek and durable cooking surface.

The Greenplate Inbench BBQ is engineered to integrate seamlessly across the entire Greenplate cabinet range or can be installed independently into custom cabinetry or retrofit projects, making it one of the most flexible public BBQ cooking solutions available.

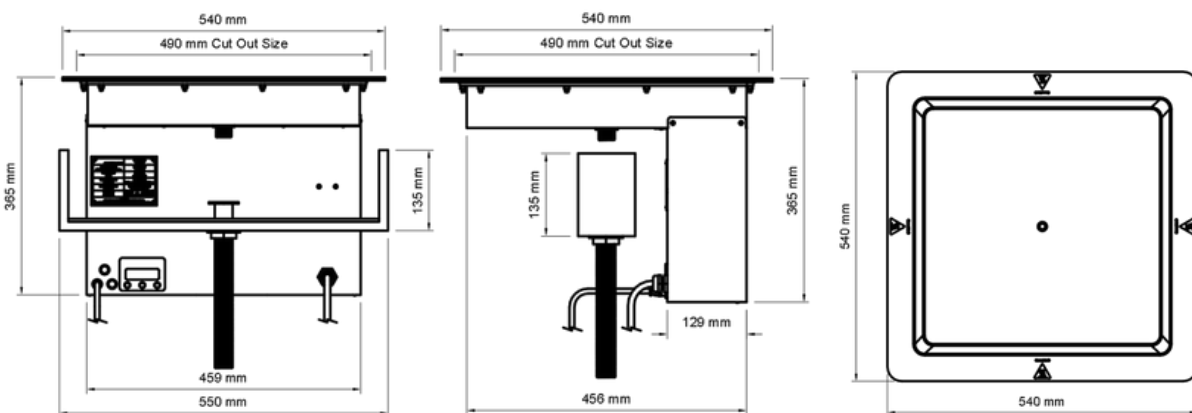


KEY FEATURES

- Patented energy-efficient heating technology
- Premium stainless steel cooking surface
- Designed for reliability in public environments
- Easy integration into cabinets or custom installations
- Industry-leading warranty and Australian manufacturing



Cookplate Dimensions:



Weight: 42kg

Product Code: 30000

Solar Standalone Electric BBQ System

Off-Grid Cooking Powered by Innovation

The Greenplate Solar Standalone Electric BBQ System delivers the ultimate sustainable cooking solution for public spaces where access to mains power is limited or unavailable.

Designed using Greenplate's industry-leading electric BBQ technology, this system combines solar energy generation, battery storage and efficient electric cooking technology to create a completely self-sufficient outdoor cooking solution.

The Solar Electric BBQ system enables councils, developers and park planners to install premium cooking facilities in remote parks, waterfront locations, recreation areas and natural reserves without the need for traditional electrical infrastructure.



Powered by Greenplate’s patented heating technology, the solar system maintains the same cooking performance and reliability expected from mains powered Greenplate BBQs while eliminating ongoing electricity costs. Batteries are discreetly housed within the integrated seat system, which can be supplied in a wide range of colour options to suit any landscape or design aesthetic. Solar panels are mounted on top of the shelter roof to maximise energy capture, while the Electric BBQ system itself can be retrofitted to an existing cabinet or supplied as part of any Greenplate cabinet range.

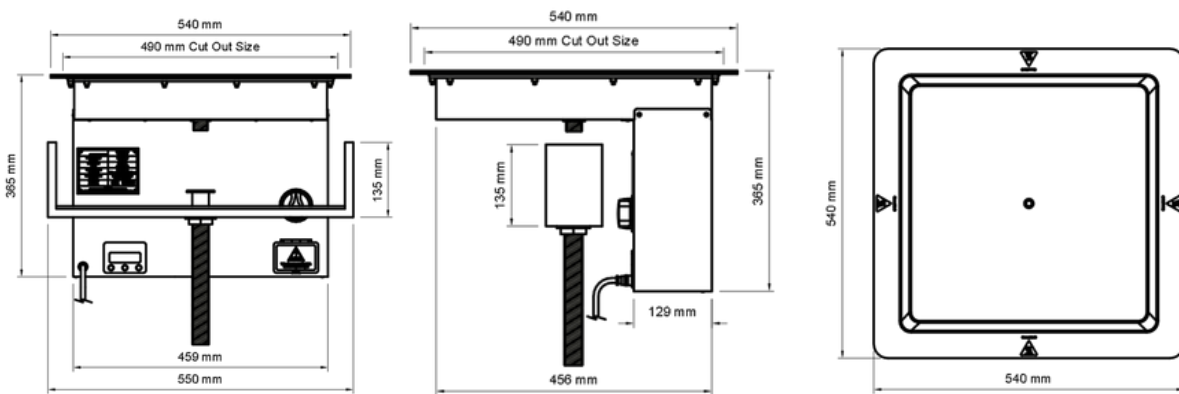
The result is a sustainable outdoor cooking solution that supports environmentally responsible infrastructure development while delivering a premium cooking experience for users.

KEY FEATURES

- Completely off-grid BBQ solution
- Solar powered with integrated battery storage
- No ongoing electricity costs
- Ideal for parks, recreation areas and remote locations
- Proven Greenplate cooking technology



Cookplate Dimensions:



Weight: 42kg

Product Code: 30000DC

Eco BBQ Cabinet Range

Practical, Durable and Energy Efficient

The Greenplate Eco BBQ Cabinet Range is designed to deliver a balance of affordability, durability and performance, making it an ideal choice for a wide range of public space applications. Manufactured from high-quality stainless steel and incorporating the proven Greenplate Inbench Electric BBQ technology, the Eco range provides a reliable outdoor cooking solution that performs exceptionally well in high-use public environments.

The cabinet range combines a stainless steel benchtop with a durable POSMAC steel cabinet base, providing a cost-effective solution for public spaces. Designed for coastal and high-corrosion environments, POSMAC steel offers superior corrosion resistance and is finished with a high-quality powdercoated coating for added durability and a modern appearance.



The Eco cabinet design offers generous preparation space while maintaining a compact and efficient footprint, making it suitable for parks, campgrounds, community spaces and recreation facilities. With the same energy-efficient cooking technology that Greenplate is known for worldwide, the Eco range allows asset managers to deliver premium public BBQ infrastructure while maintaining cost-effective project outcomes.

KEY FEATURES

- Energy efficient Greenplate cooking technology
- Durable POSMAC construction
- DDA certified design for public environments
- Ideal for parks, recreation areas and remote locations
- Cost-effective infrastructure solution

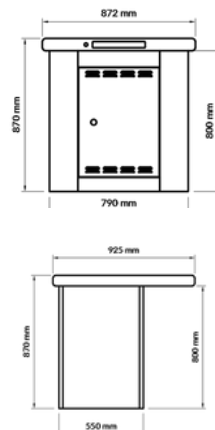
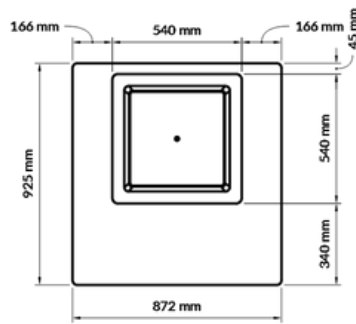


Eco Electric BBQ Cabinet Range

ECO SINGLE

Weight: 62kg*
 (Weight Excluding BBQ.
 Add 42kg per BBQ)

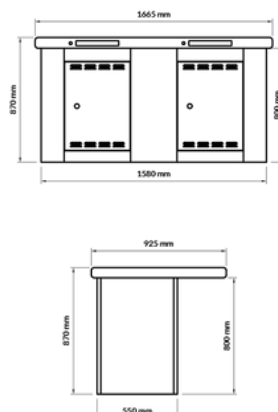
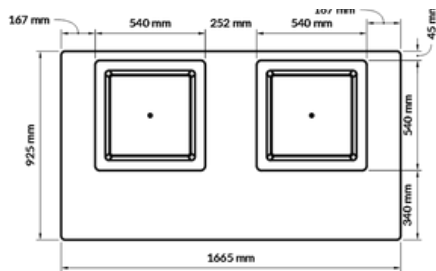
Product Code: 30068ECOS



ECO DOUBLE

Weight: 92kg*
 (Weight Excluding BBQ.
 Add 42kg per BBQ)

Product Code: 30068ECODB



Equal Access BBQ Cabinet Range

Inclusive Cooking for Every Community

The Greenplate Equal Access BBQ Cabinet Range has been specifically designed to create a truly inclusive outdoor cooking experience.

Developed in collaboration with councils and accessibility experts, the Equal Access design allows wheelchair access from all four sides of the BBQ, ensuring that users of all abilities can comfortably and safely enjoy public cooking facilities.

This innovative design incorporates accessible bench heights, generous clearances and clear user instructions to support inclusive community infrastructure.



Awarded a Good Design Award for Design Excellence, the Equal Access BBQ range represents Greenplate's commitment to designing public infrastructure that enables everyone to participate in outdoor recreation. Combined with Greenplate's patented electric BBQ technology, the Equal Access range delivers a safe, efficient and inclusive cooking solution for parks, hospitals, community spaces and public recreation facilities.

KEY FEATURES

- True four-sided wheelchair accessibility
- Designed for inclusive public spaces
- Good Design Award winning product
- Premium 2mm 316 stainless steel construction
- Proven Greenplate electric BBQ technology



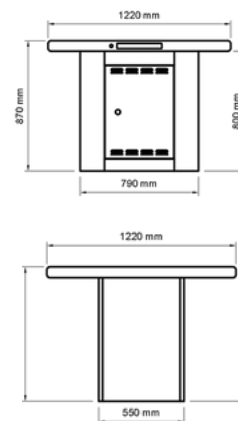
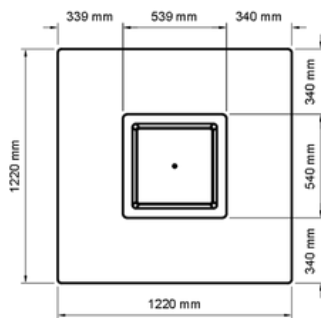
Equal Access Electric BBQ Cabinet Range

EQUAL ACCESS

SINGLE

Weight: 95kg*
 (Weight Excluding BBQ.
 Add 42kg per BBQ)

Product Code: 30068EAS

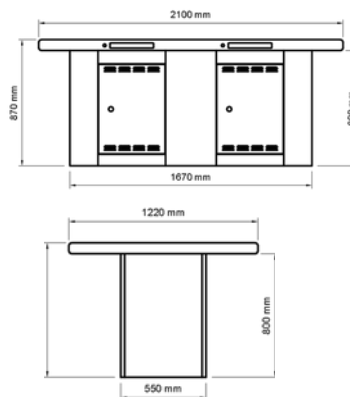
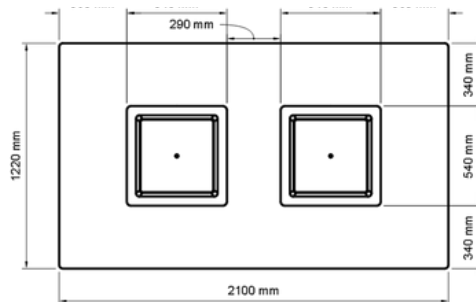


EQUAL ACCESS

DOUBLE 2100

Weight: 140kg*
 (Weight Excluding BBQ.
 Add 42kg per BBQ)

Product Code: 30068EADBS



Matilda BBQ Cabinet Range

Compact Design with Maximum Flexibility

The Greenplate Matilda BBQ Cabinet Range is designed as a compact, flexible BBQ cabinet solution that combines efficiency, functionality and style. Ideal for projects where space efficiency and cost considerations are important, the Matilda cabinet provides a practical cooking solution while maintaining the durability and performance expected from a Greenplate product.

Despite its compact design, the Matilda range still offers generous preparation space surrounding the cooking plate, allowing users to comfortably prepare and cook food in public outdoor environments.

Available in multiple configurations including single, double and triple BBQ layouts, the Matilda range can also incorporate optional accessories such as sinks, preparation surfaces and additional bench space.

This flexibility makes the Matilda BBQ range a popular choice for parks, waterfront developments, holiday parks and community recreation areas.



KEY FEATURES

- Compact and cost-effective design
- Multiple configuration options available
- Durable stainless steel construction
- Generous preparation space
- Powered by Greenplate's energy-efficient BBQ technology

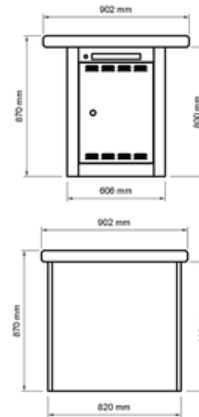
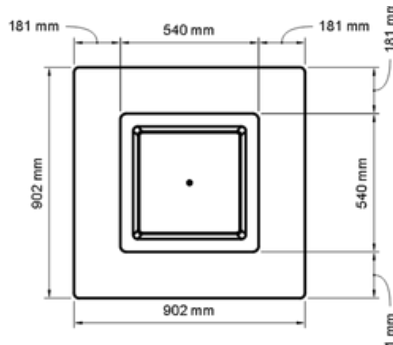


Matilda Electric BBQ Cabinet Range

MATILDA SINGLE

Weight: 55kg*
(Weight Excluding BBQ.
Add 42kg per BBQ)

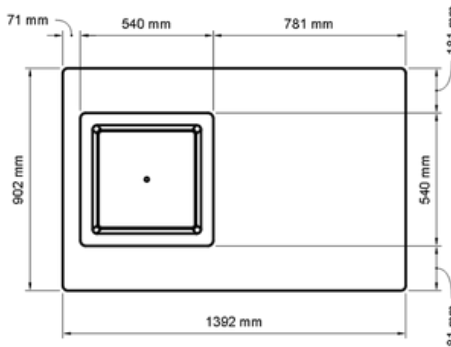
Product Code: 30069MATSB



MATILDA DOUBLE ONE BBQ

Weight: 80kg*
(Weight Excluding BBQ.
Add 42kg per BBQ)

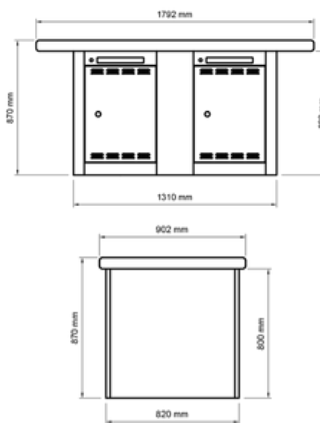
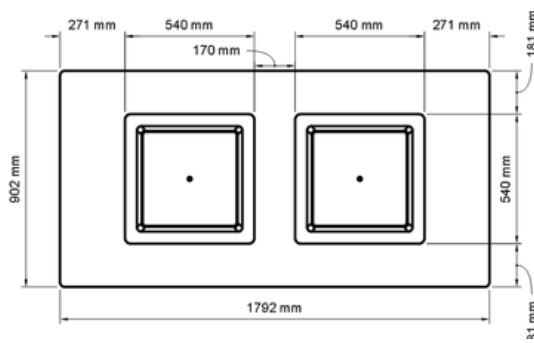
Product Code: 30069MATDB1BBQ



MATILDA DOUBLE

Weight: 95kg*
(Weight Excluding BBQ.
Add 42kg per BBQ)

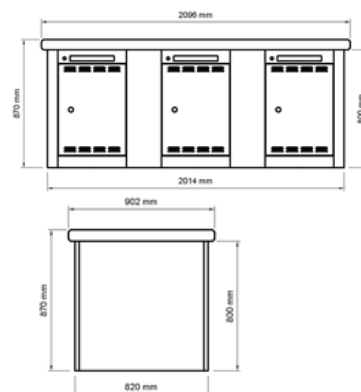
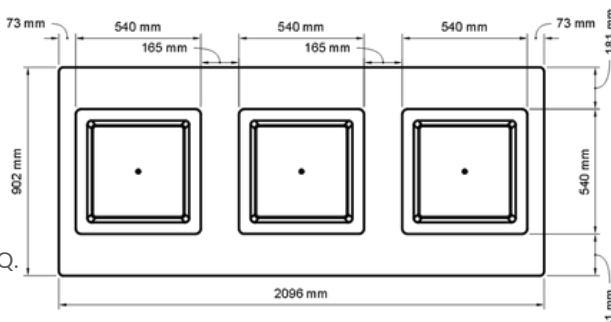
Product Code: 30069MATDBET



MATILDA TRIPLE

Weight: 170kg*
(Weight Excluding BBQ.
Add 42kg per BBQ)

Product Code: 30069MATTPL



Smart BBQ Management System

Smarter Management for Public BBQ Infrastructure

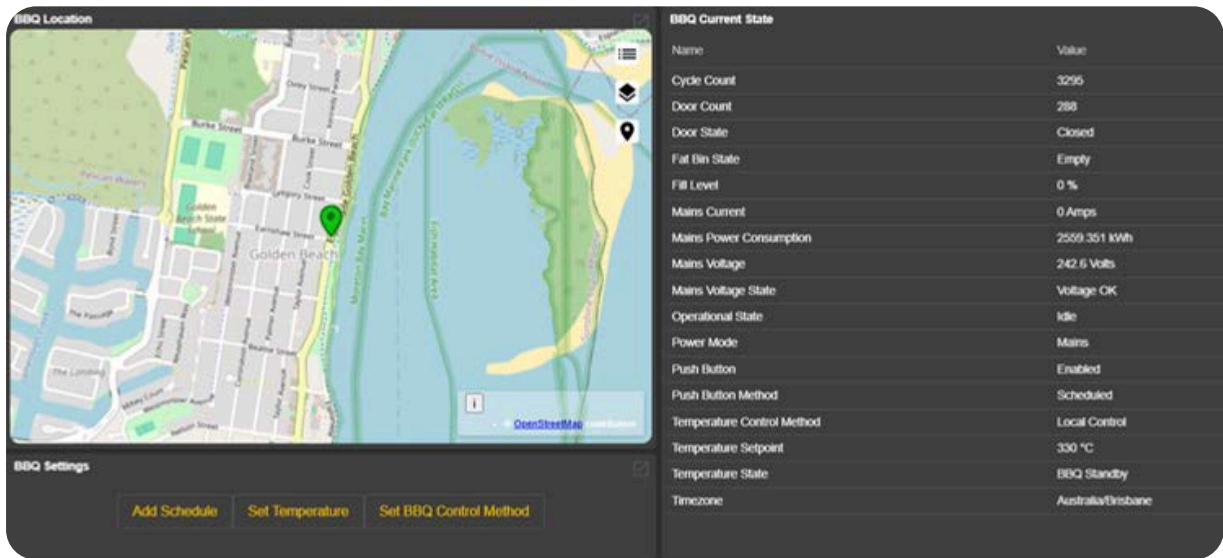
The Greenplate Smart BBQ Management System is a cloud-connected platform designed to give councils and asset managers greater visibility, control and efficiency when managing public BBQ facilities.

Developed by Greenplate in 2017, this innovative system connects individual BBQ units to a central monitoring platform, allowing operators to remotely track performance, monitor usage and respond quickly to maintenance requirements. By integrating smart monitoring technology into public BBQ infrastructure, the system helps reduce downtime, improve asset management and extend the lifespan of BBQ installations.

Through secure cloud connectivity, the Smart BBQ Management System provides real-time information on the operational status of each BBQ, enabling maintenance teams to identify issues before they become major problems. This proactive approach allows councils to better manage their BBQ networks while improving reliability for public users.

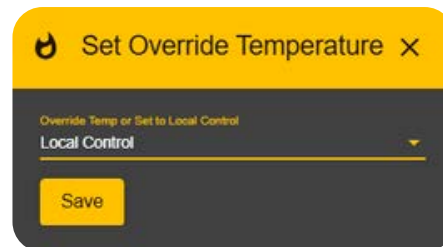
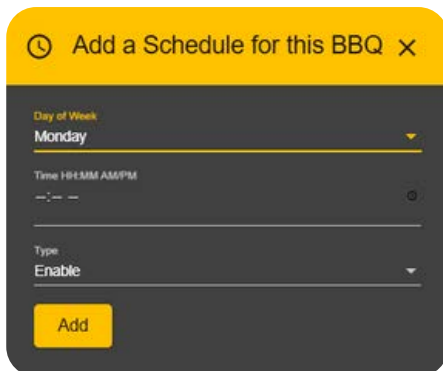


The system also supports data-driven decision making by providing valuable insights into BBQ usage patterns across parks and public spaces. This information can assist councils with infrastructure planning, maintenance scheduling and long-term asset management strategies. Designed to integrate seamlessly with Greenplate BBQ systems, the Smart BBQ Management System represents the next step in the evolution of smart public infrastructure.



KEY FEATURES

- Remote BBQ Monitoring - Track operational status and system performance across multiple BBQ locations.
- Instant Fault Notifications - Receive alerts when maintenance or servicing is required.
- Retrofit Compatible - Can be installed on existing Greenplate BBQ systems to upgrade infrastructure with smart technology.
- Improved Asset Management - Monitor usage and performance to support better infrastructure planning.
- Reduced Maintenance Costs - Identify issues early and streamline maintenance responses.
- Cloud Connected Technology - Access system data securely from anywhere.



Retrofit Electric BBQs

Smarter Upgrades for Existing BBQ Infrastructure

Give your ageing BBQ cabinets a fresh lease of life with Greenplate's Inbench Electric BBQ, paired with either our Above Bench Housing or premium all stainless steel Retrofit Door. At Greenplate, we specialise in transforming tired and outdated BBQ infrastructure into modern, high-performance cooking solutions—delivering a revitalised user experience with cutting-edge efficiency at a reduced cost.

Our Above Bench Housing is specifically designed to simplify installation, positioning the control switch above the benchtop for easy access while allowing for a straightforward drop-in solution. This minimises modification requirements and significantly reduces installation time, making it ideal for fast and efficient upgrades across existing sites.



KEY FEATURES

- Cost-effective upgrade without full cabinet replacement
- Fast, simple installation with minimal site disruption
- Above bench controls for improved accessibility and ease of use
- Customisable retrofit doors to suit existing cabinet openings
- Durable, energy-efficient electric cooking performance



For a more integrated finish, Greenplate's stainless steel retrofit doors provide a durable and visually refined upgrade, with the flexibility to customise door sizes and configurations to suit a wide range of existing cabinet openings. Whether upgrading a single unit or rolling out a broader asset renewal program, Greenplate's retrofit solutions offer a seamless, cost-effective pathway to modernising public BBQ facilities.



Industry Leading Warranty & Support

Built to Last. Backed by Confidence

Greenplate BBQ systems are engineered for long-term reliability in demanding public environments. Manufactured using premium stainless steel and proven electric heating technology, Greenplate BBQs are designed to deliver consistent performance for many years in parks, waterfronts and community spaces.

Because of this commitment to quality engineering and manufacturing, Greenplate BBQ systems are supported by one of the strongest warranties in the public BBQ industry, providing confidence and peace of mind for councils, developers and facility managers investing in long-term public infrastructure.

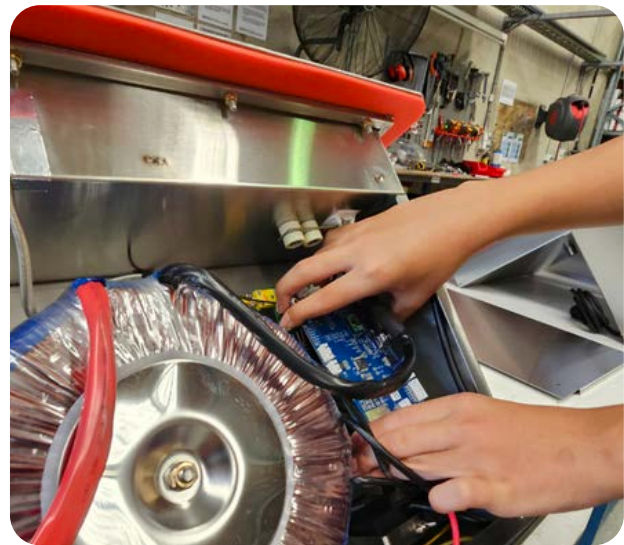
GREENPLATE WARRANTY COVER

- **Lifetime Structural Warranty**
Covering all stainless steel structural components including the BBQ body, cooking plate and cabinet construction.
- **5 Year Replacement Warranty on the Heating Element**
Greenplate's patented extra-low voltage heating element is covered by a full replacement warranty if failure occurs within five years of purchase.
- **2 Year Warranty on Electronic Components**
All electrical components within the BBQ system are covered by a two-year replacement warranty.
- **2 Year Labour Warranty**
Labour associated with the replacement of electrical components is covered for two years.



Plug & Play Electronics

Greenplate BBQ systems incorporate a plug-and-play electronic design, allowing electrical components to be easily replaced if servicing is ever required. This modular system enables qualified electricians to quickly swap components onsite without complex rewiring, significantly reducing service time and maintenance costs. The design also allows newer component upgrades to remain compatible with existing BBQ installations.



Extended Warranty Rewards Program

Greenplate also offers an Extended Warranty Rewards Program designed specifically for holiday parks and managed accommodation facilities.

This program rewards operators who install and maintain Greenplate BBQ systems across their sites by providing access to extended warranty coverage and additional support benefits. The initiative helps operators maintain high-quality guest facilities, while protecting their infrastructure investment over the long term.

National Service Support

Greenplate provides ongoing support through a network of qualified electrical contractors who are familiar with Greenplate BBQ systems and can assist with maintenance, servicing and repairs when required.

This network ensures that service support is available when needed, helping asset managers maintain reliable BBQ infrastructure across their sites.



Merri Northcote Development

Location - Melbourne, Victoria

Product - Eco Double BBQ Cabinets with stainless steel sinks

Sector - Accommodation

GREENPLATE Sustainable Product Solutions



Southpoint Apartments



Location - Brisbane, Queensland

Product - Retrofit BBQs with Hinged Covers and Above Bench Housings

Sector - Accommodation



Day Break Park Walloon



Location - Ipswich, Queensland

Product - Equal Access Double BBQ Cabinets

Sector - Local Government



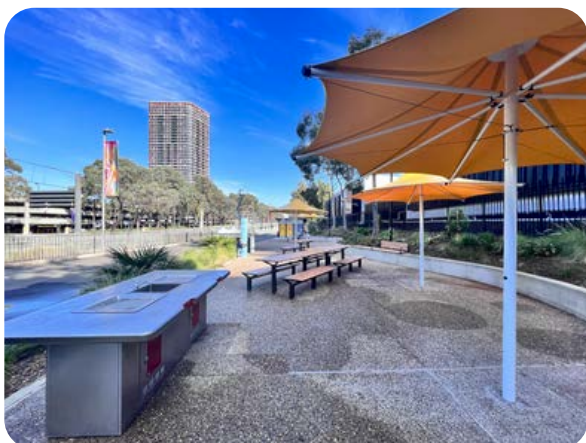


Sydney Olympic Parklands

Location - Sydney, New South Wales

Product - 50 + Greenplate BBQs with Smart Management Systems

Sector - Local Government





Watermark Resort Caloundra

Location - Sunshine Coast, Queensland

Product - Matilda Triple BBQ Cabinet with 2 x BBQs

Sector - Resort / Hotel

GREENPLATE Sustainable Product Solutions



Warrabrook Reserve Newcastle



Location - Hunter Region, New South Wales

Product - Solar Standalone BBQ System

Sector - Local Government



Contact Greenplate

Partner With Industry Leaders in Public BBQ Infrastructure

Greenplate works with councils, landscape architects, architects, developers, holiday parks and project managers to deliver innovative public BBQ solutions across Australia and internationally.

Whether you are planning a new park development, upgrading existing infrastructure or exploring off-grid solar BBQ solutions, our team is ready to assist with product selection, project planning and custom manufacturing solutions.

From initial design discussions through to installation and long-term support, Greenplate provides the experience and expertise needed to deliver reliable BBQ infrastructure for public spaces.

Let's Create Better Public Spaces

Greenplate BBQ systems are designed to bring people together in parks, waterfronts and community spaces around the world. If you are planning a project or would like to learn more about Greenplate products, our team would be happy to assist.



EMAIL

info@greenplate.com.au



PHONE

+61 07 3245 3008



ADDRESS

HEAD OFFICE & MANUFACTURING
2/15 Natasha Street, Capalaba 4157
QLD Australia
www.greenplate.com.au

DISTRIBUTORS







www.greenplate.com.au